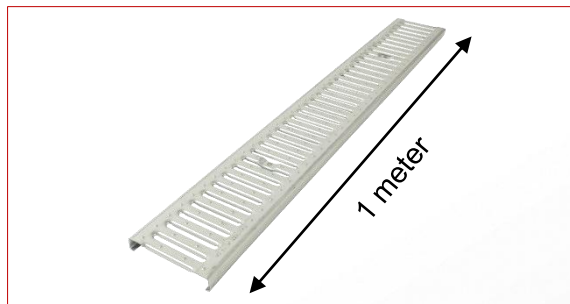
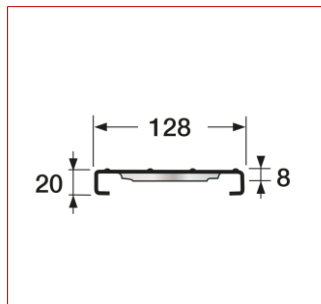


Connecto® I Stainless steel 304 (1.4301)

slotted grating class A15

Code : GDR10API



FUNCTION :

The grating is designed to drain run-off water. In accordance with EN1433 standard and the marking **CE**, it can be used in private areas for all building applications, the environment of home, parks and gardens in class **A15**.

DESCRIPTION :

This grating class A15 is in stainless steel 304 (1.4301).

ACCESSORIES :

This grating can be installed with these types of drainage channel :

- High channel body Connecto width 130 : CAN177 and KCAN177N
- Shallow channel body Connecto width 130 : CAB773, CABS773 and CAB133A

To fix a grating on CAB133A, it's necessary to use two FIXCAB13 (locking system with galvanized screw).



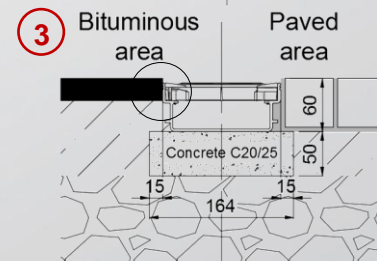
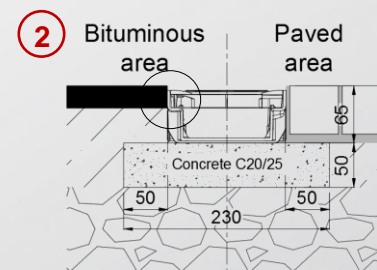
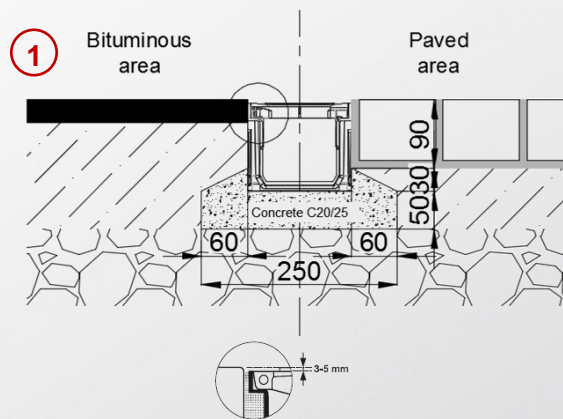
CHARACTERISTICS :

Resistance class: A15
 Width: 128 mm
 Length: 1000 mm
 Overall height: 20 mm
 Grating type: stainless steel 304
 Drainage surface: 260 cm²/ml
 Opening dimensions: 10 / 80 mm
 Weight: 1,5 kg

IMPLEMENTATION :

1. See the installation scheme opposite with the channel CAN177 and KCAN177N.
2. See the installation scheme opposite with the channel CAB773 and CABS773.
3. See the installation scheme opposite with the channel CAB133A.
4. If you don't use Connecto channel, please leave a space between gratings to allow a free expansion.

QUALITY - ENVIRONMENT :



DATE : July 2015