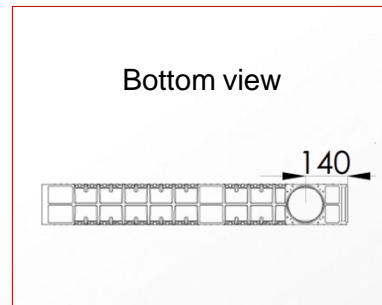
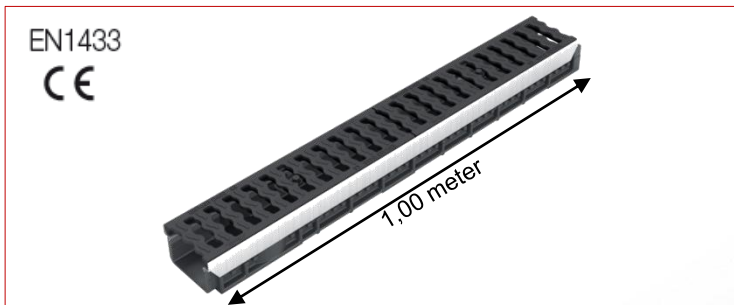
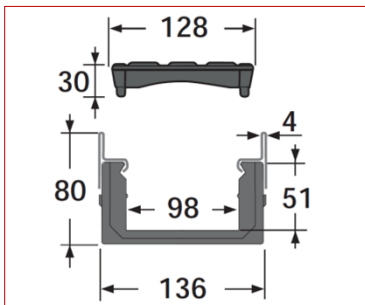
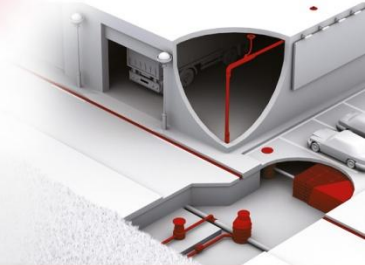


Kenadrain I Park channel 100mm wide with ductile iron gratings class D400

Code : DR100DF



FUNCTION :

The drainage channel is designed to drain run-off water. In accordance with EN1433 standard and the **CE** marking, it can be used in public area in class D400.

DESCRIPTION :

It consists of:

- an injected recycled polypropylene black body
- two galvanized steel edges
- two black ductile iron gratings class D400
- 1 screw per grating on galvanized locking bar

ACCESSORIES :

To connect the channels to the underground network :

- end cap/end outlet Ø50 – NJDR100
- vertical outlet Ø100, 110 or 125 – STDR10, SVDR10 or SXDR10
- sump unit with outlet Ø110 or 125 – PS100V or PS100X

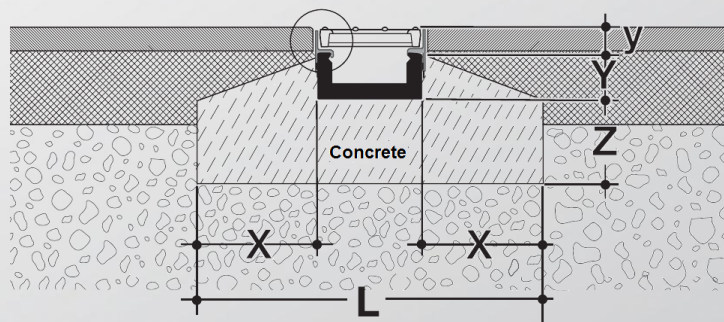
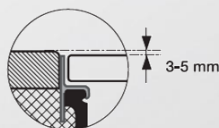


CARACTERISTICS :

- Resistance class: D400
- Effective width: 98 mm
- Effective depth: 51 mm
- Grating type: Ductile iron
- Drainage surface: 392 cm²/ml
- Hydraulic section: 47.5 cm²
- Opening dimensions: 18 / 96 mm
- Weight: 14.6 Kg

IMPLEMENTATION :

- X = 200 mm; L = 540 mm
- Z = 200 mm; Y = 50 mm; y = 35 mm



QUALITY - ENVIRONMENT :

ISO 9001
ISO 14001
BUREAU VERITAS
Certification



DATE : August 2014