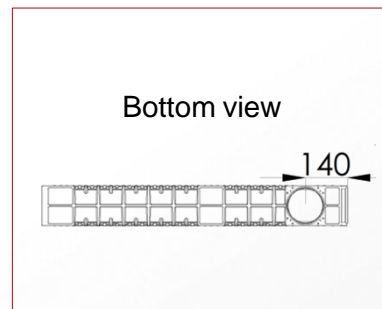
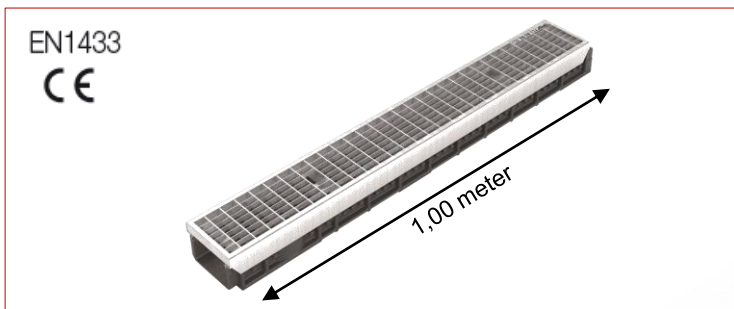
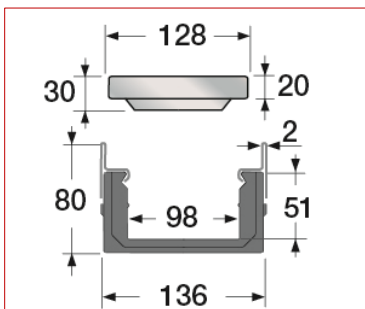


Kenadrain I Park channel 100mm wide with galvanized steel mesh grating class C250

Code : DR100CC



FUNCTION :

The drainage channel is designed to drain run-off water. In accordance with EN1433 standard and the **CE** marking, it can be used in public area in class C250.

DESCRIPTION :

It consists of:

- an injected recycled polypropylene black body
- two galvanized steel edges
- one galvanized steel mesh grating class C250
- 2 screws per grating on galvanized locking bar

ACCESSORIES :

To connect the channels to the underground network :

- end cap/end outlet Ø50 – NJDR100
- vertical outlet Ø100, 110 or 125 – STDR10, SVDR10 or SXDR10
- sump unit with outlet Ø110 or 125 – PS100V or PS100X



STDR10
SVDR10
SXDR10



NJDR100



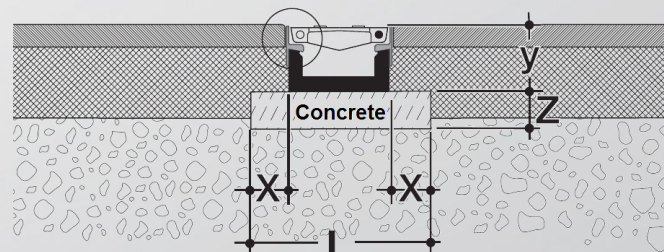
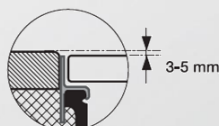
PS100V
PS100X

CARACTERISTICS :

- Resistance class: C250
- Effective width: 98 mm
- Effective depth: 51 mm
- Grating type: Galvanized steel mesh
- Drainage surface: 830 cm²/ml
- Hydraulic section: 47.5 cm²
- Opening dimensions: 15 / 33 mm
- Weight: 7.2 Kg

IMPLEMENTATION :

- X = 150 mm; L = 430 mm
- Z = 150 mm; y = 85 mm



QUALITY - ENVIRONMENT :

ISO 9001
ISO 14001
BUREAU VERITAS
Certification



DATE : August 2014