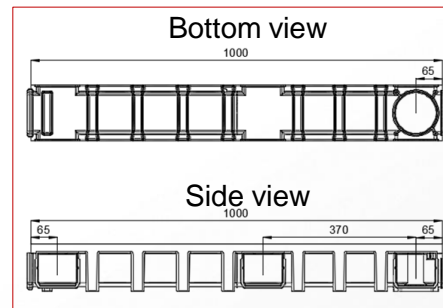
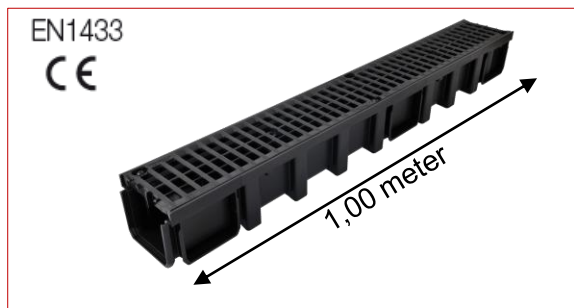
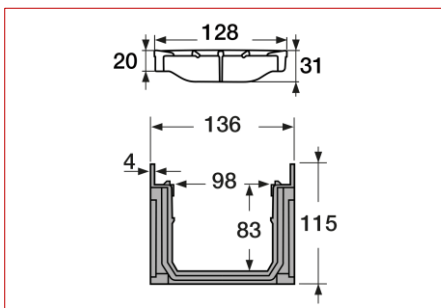


Connecto® I Channel – Outside width 130mm - with composite gratings class B125

Code : CAN10BN



FUNCTION :

The drainage channel is designed to drain run-off water. In accordance with EN1433 standard and the marking it can be used in footways, pedestrian areas, private car parks or car parking decks in class **B125**.

DESCRIPTION :

It consists of:

- an injected polypropylene body in black colour with male/female interlocking system
- two composite gratings class B125
- four black galvanized steel screws

ACCESSORIES :

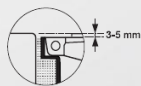
The network connection can be realized thanks to the following PVC accessories :

- end cap/end or lateral outlet Ø100 or 110 : NAT177N or NAV177N
- vertical outlet Ø100 or 110 : STCAN or SVCAN
- sump unit with outlet Ø100 or 110 : PSCVT or PSCVV



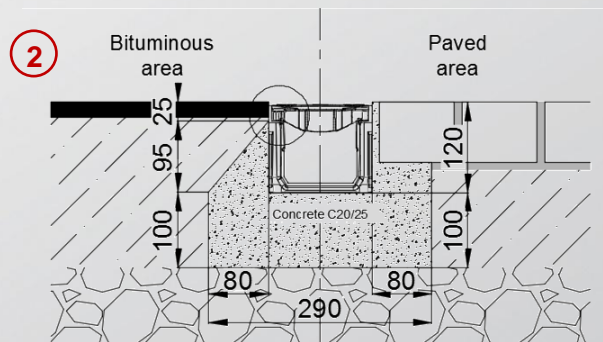
CHARACTERISTICS :

- Resistance class: B125
- Effective width: 98 mm
- Effective depth: 83 mm
- Grating type: Composite
- Drainage surface: 411 cm²/ml
- Hydraulic section: 81 cm²
- Opening dimensions: 15 / 18 mm
- Weight: 2,5 kg



IMPLEMENTATION :

1. The channel body makes it possible to carry out 90° angles by interlocking.
2. See the scheme opposite



QUALITY - ENVIRONMENT :



DATE : August 2015