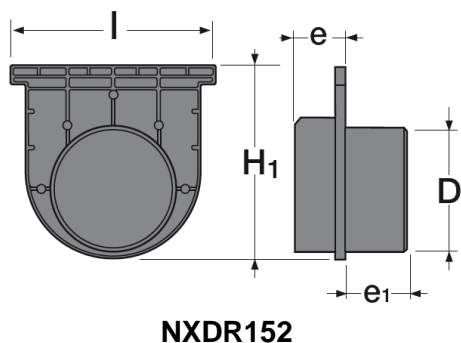
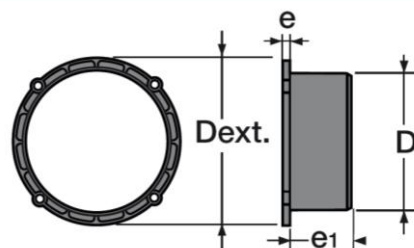


Kenadrain | Accessories for channel width 150

Codes : NXDR152, SXDR10, SZDR20



NXDR152



**SXDR10
SZDR20**

■ FUNCTION :

Permit an easy connexion of the channel Kenadrain width 150 to the drainage-pipe work.

■ DESCRIPTION :

The vertical and lateral outlets and end/outlet caps are injected in PVC.

■ CHARACTERISTICS :

Codes	Type	Øoutlet D	Width l (mm)	Height H ₁ (mm)	Thickness e (mm)	Thickness e ₁ (mm)	Ø D _{ext} (mm)
NXDR152	End/Outlet cap	125	205	192	50	61	
SXDR10	Lateral	125			12	61	140
SZDR20	Vertical	160			12	72	180

■ IMPLEMENTATION OF THE OUTLET :

1. To install a vertical or lateral outlet :
 - a. The lateral and/or vertical openings are uncapped with a hammer stroke.
 - b. The connecting pieces are screwed to the channel before implementation.
2. To realise an outlet at the end of the channel :
The end/outlet cap is uncapped with a hammer stroke.

■ IMPLEMENTATION OF THE END/OUTLET CAPS :

3. End/outlet caps are implemented by nesting in the channel. We ensure to block it in place with concrete or a temporary device.



■ QUALITY - ENVIRONMENT :

ISO 9001
ISO 14001
BUREAU VERITAS
Certification



DATE : September 2013